



**Vertigreen®** – Facade greening for indoor and outdoor areas



Life on Roofs

# Vertigreen® – a superb choice of plants, consistent greening success.



The greening of facade surfaces is nothing new, even though up to now the solutions used were mainly “home grown”, had varied rates of success and could interfere with the structure of the building.

On the contrary, Vertigreen from ZinCo is a facade-bound greening system which has been carefully developed over years to match a wide range of various facade situations. It is a flexible system adaptable in size, is easy to install and provides all components necessary for sustained and successful plant life.

One such integral component of the Vertigreen system is a sophisticated irrigation and fertilizer solution (fertigation) that ensures a continuous supply of nutrients to the plants. Therefore, rather than the plants at the foot of the facade being inundated while those above are left to dry and wither, this system provides overall nutrient delivery for verdant, healthy and even coverage.

In addition, our patented irrigation method is highly efficient, meaning that even at the height of summer only a single irrigation cycle is required every two days.

In order to find the perfect Vertigreen system solution for your facade, an object specific appraisal of the site as well as an exact

assessment of the lighting and other climate conditions is required.

## System Vertigreen® “Ornamental”

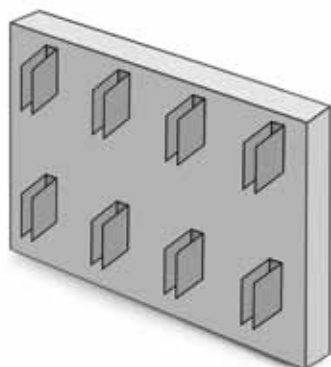
The Vertigreen system supports a wide range of suitable perennials and shrubs to create greening solutions with a striking visual impact. It is not limited to outside areas but also adaptable to indoor situations through use of the right plants and corresponding climate technology. A vegetation medium of 8 cm in combination with the tailored fertigation solution provides the perfect environment for an even cover of lush plant growth.

## Maintenance

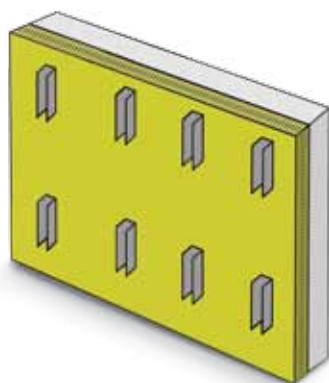
The green facade is a challenging and extreme location for plants, therefore frequent maintenance is required. This includes the monitoring of the fertigation system as well as regular pruning and the occasional replacement of individual plants.

Planting system Vertigreen® “Ornamental”

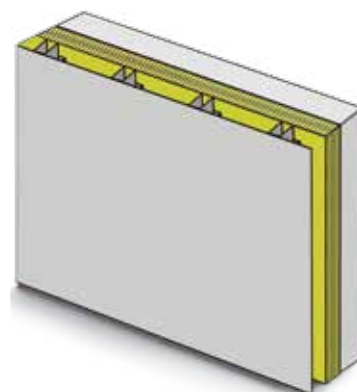
## Overview of work steps and function



In accordance with the principle of a “rear ventilated facade”, brackets are fastened to the load bearing wall as a sub-structure for mounting the girder profiles.



If thermal insulation is required it is placed over and around these brackets and girder profiles are then attached to them as they protrude through the insulation. The calculation of the sub-structure and the girder profile intervals are carried out by a structural engineer.



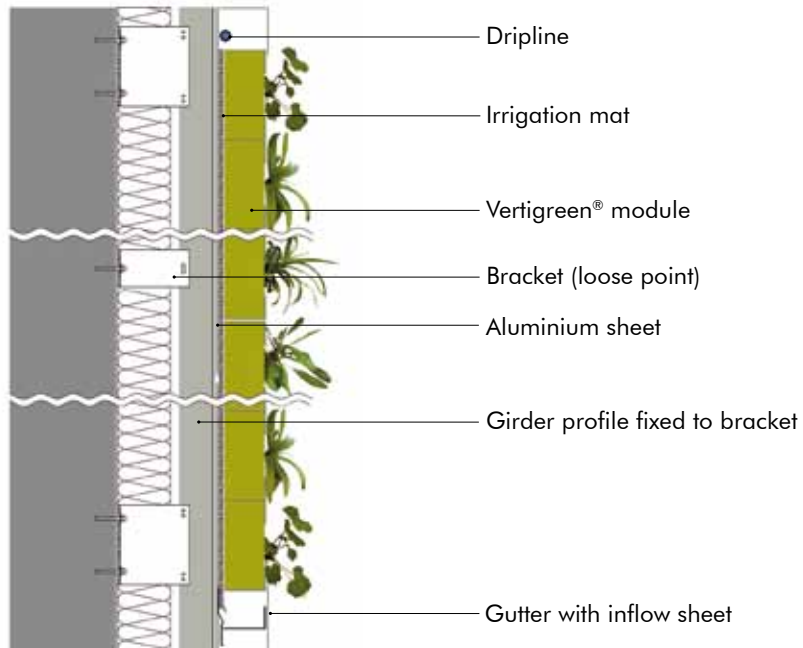
Aluminium cladding is fastened to the girder profiles and this surface is then used for mounting the Vertigreen modules. This allows for modules to be easily detached from the sub-structure.



## System Vertigreen® "Ornamental"

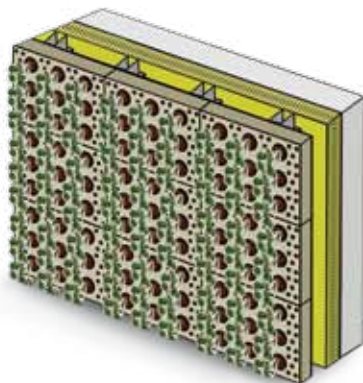


Modules immediately after installation



Irrigation is controlled electronically  
Weight: approx. 110 kg/m<sup>2</sup>\*

\*The weight specifications for Vertigreen are calculated without the sub-structure at a fully water saturated state. The possible agglomeration of snow and ice must be taken into consideration.



A special irrigation mat attached to the rear side of the Vertigreen modules provides a balanced and consistent water and nutrient supply, ensuring quick initial growth and long lasting greening success. Irrigation lines are then installed, after which time planting can begin directly into the modules.



After around three to four months the plants are established and will generally cover the entire surface area. Selective pruning and appropriate care are essential in maintaining visually attractive and flourishing vegetation.

**There is a wide range of plants suitable for the Vertigreen "Ornamental" System, for instance the following examples which are suitable for sunny exposure**

***Alchemilla mollis*** Lady's Mantle

***Geranium macrorrhizum*** ~~(Spessart)~~ Hardy Geranium

***Heuchera-Hybriden*** Alum Root

***Pennisetum alopecuroides*** ~~(Hameln)~~

Chinese Fountain Grass 'Hameln'

***Polygonum affine*** ~~(Dimity)~~ Himalayan Fleeceflower

Depending on the desired visual effect, the location, exposure and climate conditions, a vast range of Vertigreen solutions exist to meet your needs. In order to determine the best solution for your façade, we will be delighted to help and advise you.

# A planting system for every taste!

The Vertigreen® system opens up entirely new possibilities for the facades of your building. It is versatile in dimension and visual effect as seen in the following examples.



ZinCo GmbH · Lise-Meitner-Straße 2 · 72622 Nürtingen · Germany  
Phone +49 (0)7022/6003-0 · Fax: +49 (0)7022/6003-100  
[www.zinco-greenroof.com](http://www.zinco-greenroof.com) · [info@zinco-greenroof.com](mailto:info@zinco-greenroof.com)