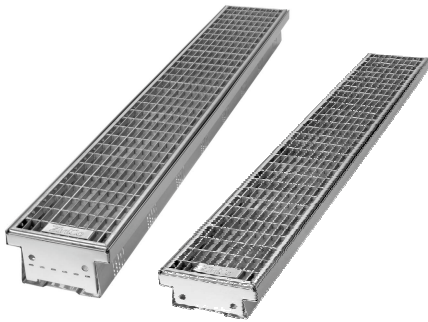


Facade and Drainage Channel FR 50 / FR 75



Slotted drainage channels of galvanized and plastic coated steel for installation in front of thresholds or along facades.

Technical Data

Facade and Drainage Channel FR 50 / FR 75

Drainage channel made of galvanized and plastic-coated steel, with galvanized grill, mesh width ca. 33 x 11 mm, channel body with lateral slots, slot width ca. 3.2 mm, channel connection by screwing joints. Installation in bulk material or mortar possible due to corrosion protection.

Channel height: Type FR 50 ca. 50 mm; Type FR 75 ca. 75 mm

Channel width: ca. 150 mm each

Length	height 50 mm	height 75 mm
ca. 1 m	Order No. 4741	Order No. 4751
ca. 2 m	Order No. 4742	Order No. 4752
ca. 3 m	Order No. 4743	Order No. 4753

Accessories:

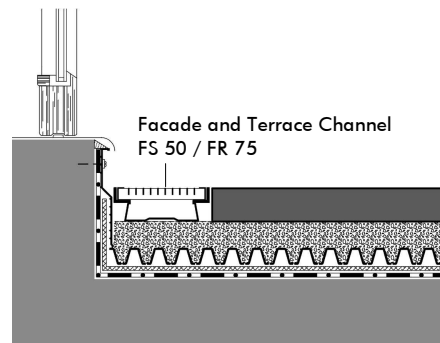
90°-corner, Safety grating, Vario-joints (only for FR 50);
Cuttings are possible upon specification.

Features

- alternatively in heights of 50 mm or 75 mm available
- suitable for direct installation in bulk materials
- collects and drains facade water efficiently
- used for low connection constructions in threshold and terrace applications
- easy to clean due to detachable grill
- also available in stainless steel upon request (in length of 1 m)

Application Example

"Facade base"



Concrete slabs in gravel bed
Floradrain® FD 25-E
Protection Mat ISM 50
Roof construction with waterproofing

Specification Suggestion

Drainage channel made of galvanized and plastic coated steel, channel body with lateral slots, slot width ca. 3.2 mm, galvanized steel grill, mesh width ca. 33 x 11 mm, delivery and installation in bulk material or mortar bedding according to manufacturer's instructions, width

ca. 150 mm, height ca. 50 mm (Type FR 50) or 75 mm (Type FR 75).

Make: ZinCo Facade and Terrace Channel FR 50 / FR 75
Enquiries: ZinCo Canada Inc.
Phone: 1-905-690-1661