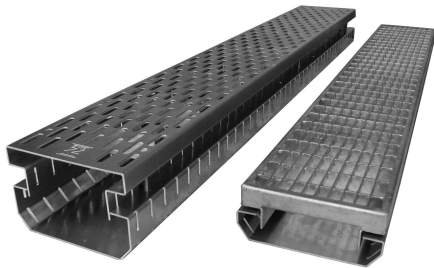
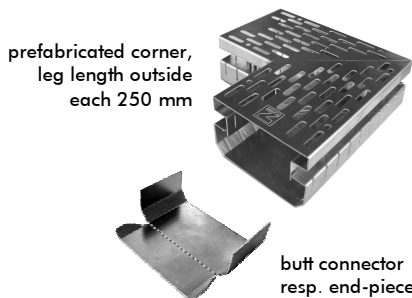


Product Data Sheet

Facade and Terrace Channel FTR



At the bottom and sides slotted, height adjustable drainage gutter made of aluminium for the installation in front of door exits or along facades.



prefabricated corner,
leg length outside
each 250 mm

butt connector
resp. end-piece

Technical Data

Facade and Terrace Channel FTR 55/75

From the top adjustable aluminium drainage channel; cover made of aluminium with oblong hole slots or with galvanized steel grate, approx. 33 x 11 mm mesh. Channel body at sides and underneath slotted, slot width ca. 8 mm; with integrated butt connector, which can be used in upright position as an end-piece.

Channel length:	ca. 1.00 m
Channel width:	ca. 145 mm
Channel height:	ca. 55 till 75 mm

<u>aluminium grate</u>	<u>galvanized grate</u>	<u>90° corner with alu-grate</u>
Order no. 4747	Order no. 4748	Order no. 4749

Facade and Terrace Channel FTR 75/100

like above mentioned but height approx. 75 to 100 mm

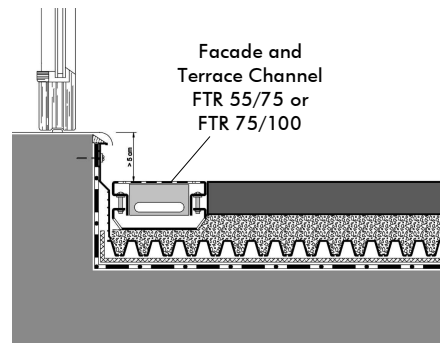
<u>aluminium grate</u>	<u>galvanized grate</u>	<u>90° corner with alu-grate</u>
Order no. 4757	Order no. 4758	order no. 4759

Features

- Aluminium gutter available in 2 heights, height adjustment from 55 to 75 mm or from 75 to 100 mm
- channels available with aluminium cover with oblong hole slots or with galvanized steel grate
- suitable for direct installation into bulk material such as gravel
- absorbs facade runoff water and directs it safely into the drainage layer
- for reduced connection heights at door exits and terrace areas
- easy cleaning due to removable grate
- channels also available in stainless steel on request

Application Example

"Door exit with reduced connection height"



Concrete slabs in gravel bed
Floradrain® FD 25-E
Protection Mat ISM 50
Roof construction with waterproofing

Specification Suggestion

Drainage channel made of aluminium, channel body slotted underneath and at sides, slot width ca. 8 mm, cover made of aluminium with oblong hole slot resp. with galvanized steel grate, ca. 33 x 11 mm mesh, deliver and place into gravel, width ca. 145 mm, height adjustable

from ca. 55 to 75 mm (type FTR 55/75) or from 75 to 100 mm (type FTR 75/100)

Make: ZinCo Facade and Terrace Channel FTR 55/75 or FTR 75/100
Enquiries: ZinCo Canada Inc.
Phone: 1-905-690-1661