

# Product Data Sheet

## Drainage Channel FR 50 - Vario

Order No. 4744 / 4746



Drainage channel made of galvanized and plastic coated steel adjustable in length.

### Technical Data

#### Drainage Channel FR 50 - Vario

Drainage channel horizontally adjustable as fitting piece for standard Facade and Drainage Channel FR 50; grill needs to be cut in situ to fit and protected from corrosion with galvanizing spray.

Channel width:	ca. 150 mm
Channel height:	ca. 50 mm
Mesh width:	ca. 33 x 11 mm

Description:	length:	Order No.
FR 50 - Vario 100	ca. 600–1000 mm	4746
FR 50 - Vario 200	ca. 1150–2000 mm	4744

#### Accessories:

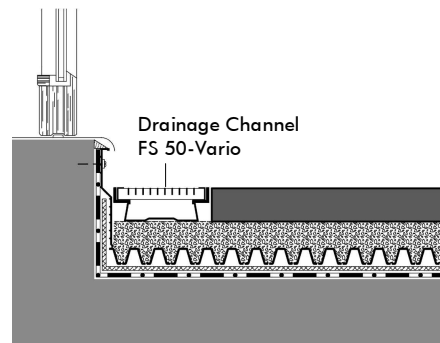
Galvanizing spray

### Features

- horizontally adjustable channel bottom
- available in two variable lengths: 600–1000 mm or 1150–2000 mm
- delivery including 1 resp. 2 grills (1000 mm each) for individual adjustment
- suitable for standard Facade and Drainage Channel FR 50
- easy to clean due to detachable grill
- stable screw joints

### Application Example

“Transition pavement / facade”



Concrete slabs in gravel bed  
Floradrain® FD 25-E  
Protection Mat ISM 50  
Roof construction with waterproofing

### Specification Suggestion

Drainage channel adjustable in length from ca. 600–1000 mm and 1150–2000 mm, made of galvanized and plastic coated steel, slotted channel body, height ca. 50 mm, with galvanized grill, mesh width ca. 33 x 11 mm, delivery and installation according to

manufacturer's instructions, including butt joint connector.

Make: ZinCo Drainage Channel FR 50 - Vario  
Enquiries: ZinCo Canada Inc.  
Phone: 1-905-690-1661