

Product Data Sheet

Drainage Grill - fix height TR-F

Order No. 4210 / 4213 / 4215



Stable terrace grill made of galvanized steel for installation above roof outlets or along facades in combination with stilted pedestals "Elefeet®".

Technical Data

Terrace grill made of galvanized steel, to be used directly above roof outlets or along facades. Preferably installed in combination with stilted pedestals Elefeet®. Height and sizes adjusted to common slab size.

Mesh width: ca. 44 x 11 mm

Terrace Grill TR-F

Height	Size	Order No.
40 mm	ca. 400 x 400 mm	4210
50 mm	ca. 400 x 400 mm	4213
50 mm	ca. 500 x 500 mm	4215

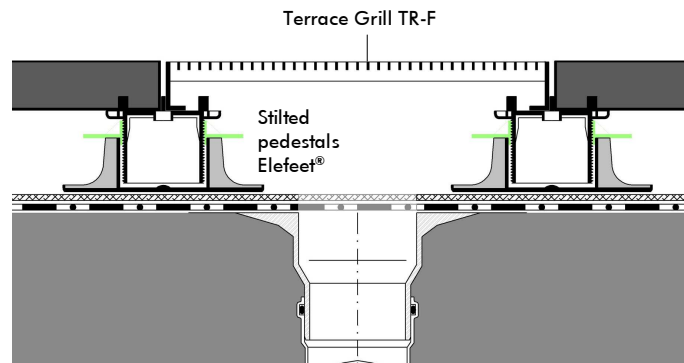
Purpose-built items are available upon request!

Features

- height and sizes adjusted to common slab sizes
- large pressure distributing support flange
- corrosion resistant due to galvanization
- walkable
- high water permeability
- suitable for combination with stilted pedestals "Elefeet®"

Application Example

"Slaps on Elefeet®"



Specification Suggestion

Terrace grill made of galvanized steel; walkable, mesh width ca. 44 x 11 mm, delivery and installation according to manufacturer's instructions. Size ca. 400 x 400 mm, height ca. 40 or 50 mm,

ca. 500 x 500 mm, height ca. 50 mm

Make: ZinCo Terrace Grill TR-F
Enquiries: ZinCo Canada Inc.
Phone: 1-905-690-1661